

APPLICATION NOTE

ABCs of DMMs

Multimeter features and functions explained

Multimeters. They've been described as the tape measure of the new millennium. But what exactly is a digital multimeter (DMM) and what can you do with it? How do you make measurements safely? What features do you need? What is the easiest way to get the most out of your meter? Which meter is best suited to the environment you're working in? These and other questions are answered in this application note.

Choosing the right digital multimeter for the job

Choosing the right DMM for the job requires more than detailed specifications; it's also critical to look at the robustness and overall value and reliability of the tool. Reliability, especially under tough conditions, is more important than ever today. Down time isn't something most companies can afford. And the ability of a tool to last over a number of years through hard use, is crucial for reliability. Fluke DMMs, for example, undergo rigorous testing and evaluation programs.

Look for: Robustness—is it tested for hardiness and reliability?

Safety—does it have adequate component spacing, double insulation, and input protection?

Overall value—more important than price is the longevity and reliability of the tool. What do reviewers say?

Connected—today's smart technology allows data management and storage in the cloud via tools that are connected wirelessly. The Fluke Connect® system, for example, uses a smartphone app to transmit measurements to the cloud where data can be accessed and analyzed with web-based software.

User safety is a primary consideration in the design of Fluke's DMMs. Providing adequate component spacing, double insulation, and input protection helps prevent injury and meter damage when they are used improperly. Fluke designs its DMMs to the latest, most demanding safety standards. Fluke offers many DMMs with different combinations of features like Touch Hold®, analog



Digital multimeters offer a wide selection of features. Choosing the right meter for the job can be challenging unless you know what the features do. This application note explains some of the most common features and how they can be used in actual applications

bar graphs, and enhanced resolution. Accessories for high current and temperature measurements are available to extend the capabilities of DMMs.

Resolution, digits and counts

Resolution refers to how fine a measurement a meter can make. A meter's resolution represents the ability to see small changes in the measured signals. For example, if the DMM has a resolution of 1 mV on the 4 V range, it is possible to see a change of 1 mV (1/1000 of a volt) while reading 1 V. You wouldn't buy a ruler marked in one-inch (or one-centimeter) segments if you had to measure down to a quarter inch (or one millimeter). A thermometer that measures only in whole degrees isn't much use when your normal temperature is 98.6 degrees Fahrenheit. You need a thermometer with one tenth degree resolution. The terms digits and counts are used to describe a meter's resolution. DMMs are grouped by the number of counts or digits they display.

A 3½-digit meter can display three full digits ranging from 0 to 9, and one “half” digit which displays only a 1 or is left blank. A 3½-digit meter will display up to 1,999 counts of resolution. A 4½-digit meter can display up to 19,999 counts of resolution. It is more precise to describe a meter by counts of resolution than by digits. Today’s 3½-digit meters may have enhanced resolution of up to 3,200, 4,000, or 6,000 counts. For certain measurements, 3,200-count meters offer better resolution. For example, a 1,999-count meter won’t be able to measure down to a tenth of a volt if you are measuring 200 volts or more. However, a 3,200-count meter will display a tenth of a volt up to 320 volts. This is the same resolution as a more expensive 20,000-count meter until you exceed 320 volts.

Accuracy

Accuracy is the largest allowable error that will occur under specific operating conditions. In other words, it is an indication of how close the DMM’s displayed measurement is to the actual value of the signal being measured. Accuracy for a DMM is usually expressed as a percent of reading. An accuracy of one percent of reading means that for a displayed reading of 100 volts, the actual value of the voltage could be anywhere between 99 volts and 101 volts.

Specifications may also include a range of digits added to the basic accuracy specification. This indicates how many counts the digit to the extreme right of the display may vary. So the preceding accuracy example might be stated as ± (1 % + 2). Therefore, for a display reading of 100 volts, the actual voltage would be between 98.8 volts and 101.2 volts. Analog meter specifications are determined by the error at full scale, not at the displayed reading. Typical accuracy for an analog meter is ± 2 % or ± 3 % of full scale. At one-tenth of full scale, these become 20 percent or 30 percent of reading. Typical accuracy for a DMM is between ± (0.7 % + 1) and ± (0.1 % + 1) of reading, or better.

Ohm’s law

Voltage, current, and resistance in any electrical circuit can be calculated by using Ohm’s Law, which states that voltage equals current times resistance (see Figure 1). Thus, if any two values in the formula are known, the third can be determined.

A DMM makes use of Ohm’s Law to directly measure and display either ohms, amps, or volts. On the following pages, you will see just how easy it is to use a DMM to find the answers you need.

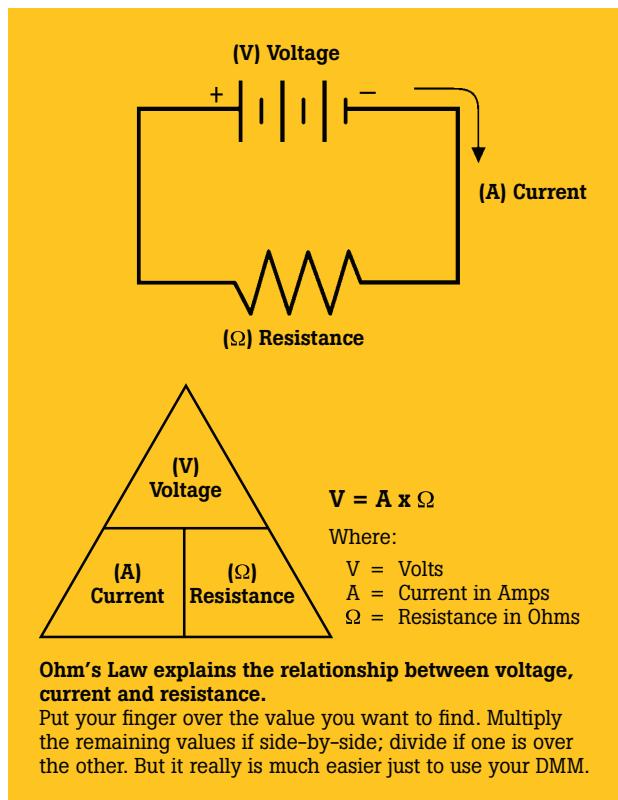


Figure 1.

Digital and analog displays

For high accuracy and resolution, the digital display excels, displaying three or more digits for each measurement. The analog needle display is less accurate and has lower effective resolution because you have to estimate values between the lines. A bar graph on a digital meter shows changes and trends in a signal just like an analog needle, but is more durable and less prone to damage.

Saving and sharing results

As the equipment you service has grown more complex and more powerful, so have the DMMs available to service it.



Wireless test tools can send test results to smartphones and computers, allowing you to share data, images, and notes with coworkers. Wireless DMMs, other related test tools, and smart phone apps, like Fluke Connect® let you make the best decisions faster than ever before, saving time and increasing your productivity.

DC and AC voltage

One of the most basic tasks of a DMM is measuring voltage. A typical dc voltage source is a battery, like the one used in your car. Ac voltage is usually created by a generator. The wall outlets in your home are common sources of ac voltage. Some devices convert ac to dc. For example, electronic equipment such as TVs, stereos, VCRs, and computers that you plug into an ac wall outlet use devices called rectifiers to convert the ac voltage to a dc voltage. The dc voltage is what powers the electronic circuits in these devices.

Testing for proper supply voltage is usually the first step when troubleshooting a circuit. If there is no voltage present, or if it is too high or too low, the voltage problem should be corrected before investigating further. The waveforms associated with ac voltages are either sinusoidal (sine waves), or non-sinusoidal (saw tooth, square, ripple, etc.). (See figure 2)

Quality DMMs display the “rms” (root mean square) value of these voltage waveforms. The rms value is the equivalent dc value of the ac voltage. Many basic DMMs are “average responding,” giving accurate rms readings if the ac voltage signal is a pure sine wave. Average responding meters are not capable of measuring non-sinusoidal signals accurately. Non-sinusoidal signals are accurately measured using DMMs designated “true-rms” up to the DMM’s specified crest factor. Crest factor is the ratio of a signal’s peak-to-rms value. It’s 1.414 for a pure sine wave, but is often much higher for a rectifier current pulse, for example. As a result, an average responding meter will often read much lower.

A DMM’s ability to measure ac voltage can be limited by the frequency of the signal. Most DMMs can accurately measure ac voltages with frequencies from 50 Hz to 500 Hz, but a DMM’s ac measurement bandwidth may be hundreds of kilohertz wide. Such a meter may read a higher value because it is “seeing” more of a complex ac signal.

BEST PRACTICE: DMM accuracy specifications for ac voltage and ac current should state the frequency range along with range accuracy.

How to make voltage measurements

1. Select V~ (ac) or V= (dc), as desired.
2. Plug the black test probe into the COM input jack. Plug the red test probe into the V input jack.
3. If the DMM has manual ranging only, select the highest range so as not to overload the input.
4. Touch the probe tips to the circuit across a load or power source (in parallel to the circuit).



Fluke TL175 TwistGuard™ Test Leads. Quality test leads with adjustable length test tips for use in different measurement environments and increased safety.

CAUTION: These probes are not intended for electrical utility applications in which high voltage is also accompanied by high energy. Rather, they are intended for use in low-energy applications.

5. View the reading, being sure to note the unit of measurement.

Note: For dc readings of the correct polarity (\pm), touch the red test probe to the positive side of the circuit, and the black probe to the negative side or circuit ground. If you reverse the connections, a DMM with autopolarity will merely display a minus sign indicating negative polarity. With an analog meter, you risk damaging the meter.

Note: $1/1000 \text{ V} = 1 \text{ mV}$
 $1000 \text{ V} = 1 \text{ kV}$

High-voltage probes are available for TV and CRT repair, where voltages can reach 40 kV (see Figure 3).

Resistance, continuity and diodes

Resistance is measured in ohms (Ω). Resistance values can vary greatly, from a few milliohms ($\text{m}\Omega$) for contact resistance to billions of ohms for insulators. Most DMMs measure down to 0.1Ω , and some measure as high as $300 \text{ M}\Omega$ (300,000,000 ohms). Infinite resistance (open circuit) is read as “OL” on the Fluke meter display, and means the resistance is greater than the meter can measure. Resistance measurements must be made with the circuit power off – otherwise, the meter or circuit could be damaged. Some DMMs provide protection in the ohms mode in case of accidental contact with voltages. The

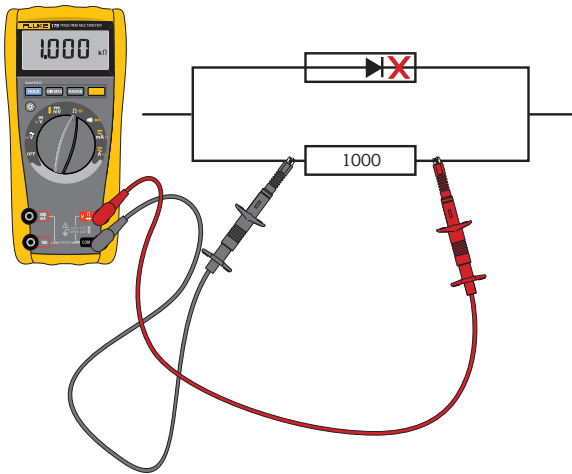


Figure 4. For measuring resistance in the presence of diodes, DMM test voltages are kept below 0.6 V so the semiconductor junctions do not conduct current.

level of protection may vary greatly among different DMM models.

For accurate, low-resistance measurements, resistance in the test leads must be subtracted from the total resistance measured. Typical test lead resistance is between 0.2 Ω and 0.5 Ω.

BEST PRACTICE: If the resistance in the test leads is greater than 1 Ω, the test leads should be replaced.

If the DMM supplies less than 0.6 V dc test voltage for measuring resistance, it will be able to measure the values of resistors that are isolated in a circuit by diodes or semiconductor junctions. This often allows you to test resistors on a circuit board without unsoldering them (see Figure 4).

How to make resistance measurements:

1. Turn off power to the circuit.
2. Select resistance (Ω).
3. Plug the black test probe into the COM input jack. Plug the red test probe into the Ω input jack.
4. Connect the probe tips across the component or portion of the circuit for which you want to determine resistance.
5. View the reading, being sure to note the unit of measurement—ohms (Ω), kilohms (kΩ), or megohms (MΩ).

Note: 1,000 Ω = 1 kΩ
1,000,000 Ω = 1 MΩ

Make sure the power is off before making resistance measurements.

	VOM	VOM	DMM
Range	Rx1	Rx100	Diode test
Junction current	35 mA - 50 mA	0.5 mA - 1.5 mA	0.5 mA - 1 mA
Germanium	8 Ω - 19 Ω	200 Ω - 300 Ω	0.225 V - 0.225 V
Silicon	8 Ω - 16 Ω	450 Ω - 800 Ω	0.4 V - 0.6 V

Table 1.

Continuity

Continuity is a quick go/no-go resistance test that distinguishes between an open and a closed circuit. A DMM with a continuity beeper allows you to complete many continuity tests easily and quickly. The meter beeps when it detects a closed circuit, so you don't have to look at the meter as you test. The level of resistance required to trigger the beeper varies from model to model of DMM.

Diode test

A diode is like an electronic switch. It can be turned on if the voltage is over a certain level, generally about 0.6 V for a silicon diode, and it allows current to flow in one direction. When checking the condition of a diode or transistor junction, an analog VOM not only gives widely varying readings but can drive currents up to 50 mA through the junction. (See Table 1). Some DMMs have a diode test mode. This mode measures and displays the actual voltage drop across a junction. A silicon junction should have a voltage drop less than 0.7 V when applied in the forward direction and an open circuit when applied in the reverse direction.

DC and AC current

Current measurements are different from other DMM measurements. Current measurements taken with the DMM alone require placing the meter in series with the circuit being measured. This means opening the circuit and using the DMM test leads to complete the circuit. This way all the circuit current flows through the DMM's circuitry. An indirect method of measuring current on a DMM can be performed using a current probe. The probe clamps around the outside of the conductor, thus avoiding opening the circuit and connecting the DMM in series.

How to make current measurements

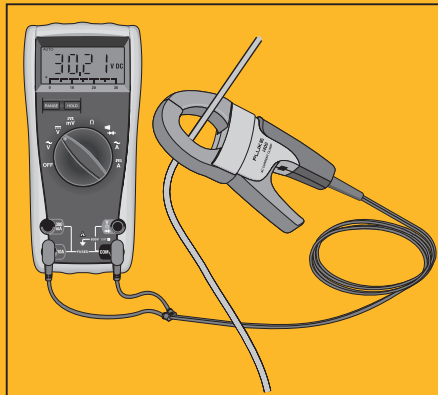
1. Turn off power to the circuit.
2. Cut or unsolder the circuit, creating a place where the meter probes can be inserted.
3. Select A~ (ac) or A= (dc) as desired.



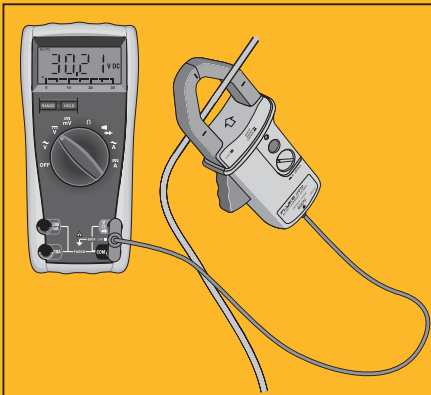
Always make sure the power is off before cutting or unsoldering the circuit and inserting the DMM for current measurements. Even small amounts of current can be dangerous.



Never attempt a voltage measurement with the test probes in the current jack. Meter damage or personal injury may result.



A transformer-type current probe, such as the Fluke i400, scales down the current being measured. The DMM displays 1 mA for every amp being measured.



The Fluke i1010 Hall-Effect probe safely measures high-current ac or dc values by scaling down the current being measured and converting this reduced current to a voltage. The DMM displays 1 mV for every amp.

Figure 5.

4. Plug the black test probe into the COM input jack. Plug the red test probe into the amp or milliamp input jack, depending on the expected value of the reading.
5. Connect the probe tips to the circuit across the break so that all current will flow through the DMM (a series connection).
6. Turn the circuit power back on.
7. View the reading, being sure to note the unit of measurement.

Note: If the test leads are reversed for a dc measurement, a “-” will show in the display.

Input protection

A common mistake is to leave the test leads plugged into the current input jacks and then attempt a voltage measurement. This causes a direct short across the source voltage through a low-value resistor inside the DMM, called a current shunt. A high current flows through the DMM and if it is not adequately protected, can cause extreme damage to both the DMM and the circuit, and possible injury to the operator.

Extremely high fault currents can occur if industrial high-voltage circuits are involved (240 V or higher).

BEST PRACTICE: A DMM should have current input fuse protection of high enough capacity for the circuit being measured. Meters without fuse protection in the current inputs should not be used on high-energy electrical circuits (> 240 V ac).

Those DMMs that do use fuses should have a fuse with sufficient capacity to clear a high-energy fault. The voltage rating of the meter’s fuses should be greater than the maximum voltage you expect to measure. For example, a 20 A, 250 V fuse may not be able to clear a fault inside the meter when the meter is across a 480 V circuit. A 20 A, 600 V fuse would be needed to clear the fault on a 480 V circuit.

Current probe accessories

Sometimes you may have to make a current measurement that exceeds the rating of your DMM or the situation does not allow you to open the circuit to measure the current. In these higher current applications (typically over 2 A), where high accuracy is not needed, a current probe is very useful. A current probe clamps around the conductor carrying the current, and it converts the measured value to a level the meter can handle.

There are two basic types of current probes: current transformers, which are used to measure ac current only, and Hall-Effect probes, which are used to measure ac or dc current. The output of a current transformer is typically 1 milliamp per amp. A 100 amp value is reduced to 100 milliamperes, which can be safely measured by most DMMs. The probe leads are connected to the “mA” and “COM” input jacks, and the meter function switch is set to mA ac. The output of a Hall-Effect probe is 1 millivolt per amp, ac or dc. For example, 100 A ac is converted to 100 mV ac. The probe leads are connected to the “V” and “COM” jacks. Set the meter function switch to the “V” or “mV” scale, selecting V~ for ac current or V= for dc current measurements. The meter displays 1 millivolt for every amp measured.

Safety

Making measurements safely starts with choosing the proper meter for the application as well as the environment in which the meter will be used. Once the proper meter has been chosen, you should use it by following good measurement procedures. Carefully read the instrument user manual before use, paying particular attention to the WARNING and CAUTION sections.

The International Electrotechnical Commission (IEC) established safety standards for working on electrical systems.

BEST PRACTICE: Make sure you are using a meter that meets the IEC category and voltage rating approved for the environment where the measurement is to be made.

For instance, if a voltage measurement needs to be made in an electrical panel with 480 V, then a meter rated Category III 600 V or 1000 V should be used. This means the input circuitry of the meter has been designed to withstand voltage transients commonly found in this environment without harming the user. Choosing a meter with this rating which also has a CSA, VDE or TÜV certification means the meter not only has been designed to IEC standards, but has been independently tested and meets those standards.

Common situations that lead to DMM failure:

1. Contact with ac power source while test leads are plugged into current jacks
2. Contact with ac power source while in resistance mode
3. Exposure to high voltage transients
4. Exceeding maximum input limitations (voltage and current)

Types of DMM protection circuits:

1. Protection with automatic recovery. Some meters have circuitry that detects an overload condition and protects the meter until the condition no longer exists. After the overload is removed, the DMM automatically returns to normal operation. Usually used to protect the ohms function from voltage overloads.
2. Protection without automatic recovery. Some meters will detect an overload condition and protect the meter, but will not recover until the operator performs an operation on the meter, such as replacing a fuse.

BEST PRACTICE: Look for these safety features in a DMM

1. Fused current inputs
2. Use of high-energy fuses (600 V or more)
3. High-voltage protection in resistance mode (500 V or more)
4. Protection against voltage transients (6 kV or more)
5. Safety-designed test leads with finger guards and shrouded terminals
6. Independent safety organization approval/ listing (e.g., UL or CSA)

Safety checklist

- ✓ Use a meter that meets accepted safety standards for the environment in which it will be used.
- ✓ Use a meter with fused current inputs and be sure to check the fuses before making current measurements.
- ✓ Inspect test leads for physical damage before making a measurement.
- ✓ Use the meter to check continuity of the test leads.
- ✓ Use only test leads that have shrouded connectors and finger guards.
- ✓ Use only meters with recessed input jacks.
- ✓ Select the proper function and range for your measurement.
- ✓ Be certain the meter is in good operating condition.
- ✓ Follow all equipment safety procedures.
- ✓ Always disconnect the “hot” (red) test lead first.
- ✓ Don’t work alone.
- ✓ Use a meter that has overload protection on the ohms function.
- ✓ When measuring current without a current clamp, turn the power off before connecting into the circuit.
- ✓ Be aware of high-current and high-voltage situations and use the appropriate equipment, such as high-voltage probes and high-current clamps.

Accessories

DMM accessories

One very important requirement of a DMM is that it can be used with a wide variety of accessories. Many accessories are available that can increase your DMM's measurement range and usefulness, while making your measurement tasks easier.

- High-voltage probes and current probes scale down high voltages and currents to a level the DMM can safely measure.
- Temperature probes convert your DMM into a handy digital thermometer.
- RF probes can be used to measure voltages at high frequencies.
- Furthermore, a selection of test leads, test probes, and test clips can help you easily connect your DMM to the circuit.
- Soft and hard carrying cases protect your DMM and conveniently store your accessories with your DMM.

Glossary

Accuracy. How close the DMM's displayed measurement is to the actual value of the signal being measured. Expressed as a percentage of reading or as a percentage of full scale.

Analog meter. An instrument that uses a needle movement to display the value of a measured signal. The user judges the reading based on the position of the needle on a scale. Meter ratings and capabilities vary by manufacturer. Before working with a new meter, be sure to familiarize

yourself with all operating and safety procedures for that meter contained in the user's manual.

Annunciator. A symbol that identifies a selected range or function.

Average responding DMM. A DMM that accurately measures sinusoidal waveforms, while measuring non-sinusoidal waveforms with less accuracy.

Count. A number used to specify a DMM's resolution.

Current-shunt. A low-value resistor in a DMM for measuring current. The DMM measures the voltage drop across the current shunt and, using Ohm's Law, calculates the value of the current.

DMM, digital multimeter. An instrument that uses a digital display to show the value of a measured signal. DMMs feature greater durability, resolution, and far more accuracy than analog meters.

Non-sinusoidal waveform. A distorted waveform such as a pulse train, square waves, triangular waves, saw tooth waves and spikes.

Resolution. The degree to which small changes in a measurement can be displayed.

rms. The equivalent dc value of an ac waveform.

Sinusoidal waveform. A pure sine wave without distortion.

True-rms DMM. A DMM that can accurately measure both sinusoidal and non-sinusoidal waveforms.



Meter ratings and capabilities vary by manufacturer. Before working with a new meter, be sure to familiarize yourself with all operating and safety procedures for that meter, contained in the users manual.

Independent testing is the key to safety compliance

How can you tell if you're getting a genuine CAT III or CAT II meter? It's not always easy. It is possible for a manufacturer to self-certify its meters as CAT II or CAT III without any independent verification. Beware of wording such as "Designed to meet specifications..." Designer's plans are never a substitute for an actual independent test. The IEC (International Electrotechnical Commission) develops and proposes standards, but it is not responsible for enforcing the standards.

Look for the symbol and listing number of an independent testing lab such as CSA, TÜV or other recognized approval agency. That symbol can only be used if the product successfully completed testing to the agency's standard, which is based on national/ international standards. In an imperfect world, that is the closest you can come to ensuring that the multimeter you choose was actually tested for safety.



Special features

The following special features and functions may make it easier to use your DMM.

- Annunciators show at a glance what is being measured (volts, ohms, etc.).
- Touch Hold® freezes the display on stable readings so you can use both hands to take a measurement and view results later.
- One-switch operation makes it easy to select measurement functions.
- Overload protection prevents damage to both the meter and the circuit, while protecting the user.
- Special high-energy fuses provide extra protection for user and meter during current measurements and overloads.
- Auto ranging automatically selects proper measurement range. Manual ranging lets you lock into a specific range for repetitive measurements.
- Autopolarity indicates negative readings with a minus sign, so even if you connect the test leads in reverse you won't damage the meter.
- Low battery indicator.

The information in this application note covers basic digital multimeter functions, such as those found on the Fluke 170 Series DMMs. Fluke also makes a variety of other DMMs with specialized features and functions for a wide range of applications.

Fluke. *Keeping your world up and running.®*

Fluke Corporation
PO Box 9090, Everett, WA 98206 U.S.A.

Fluke Europe B.V.
PO Box 1186, 5602 BD
Eindhoven, The Netherlands

For more information call:
In the U.S.A. (800) 443-5853 or
Fax (425) 446-5116
In Europe/M-East/Africa +31 (0) 40 2675 200 or
Fax +31 (0) 40 2675 222
In Canada (800)-36-FLUKE or
Fax (905) 890-6866
From other countries +1 (425) 446-5500 or
Fax +1 (425) 446-5116
Web access: <http://www.fluke.com>

©2002, 2014-2016 Fluke Corporation.
Specifications subject to change without notice.
Printed in U.S.A. 4/2016 1260898p-en

Modification of this document is not permitted without written permission from Fluke Corporation.